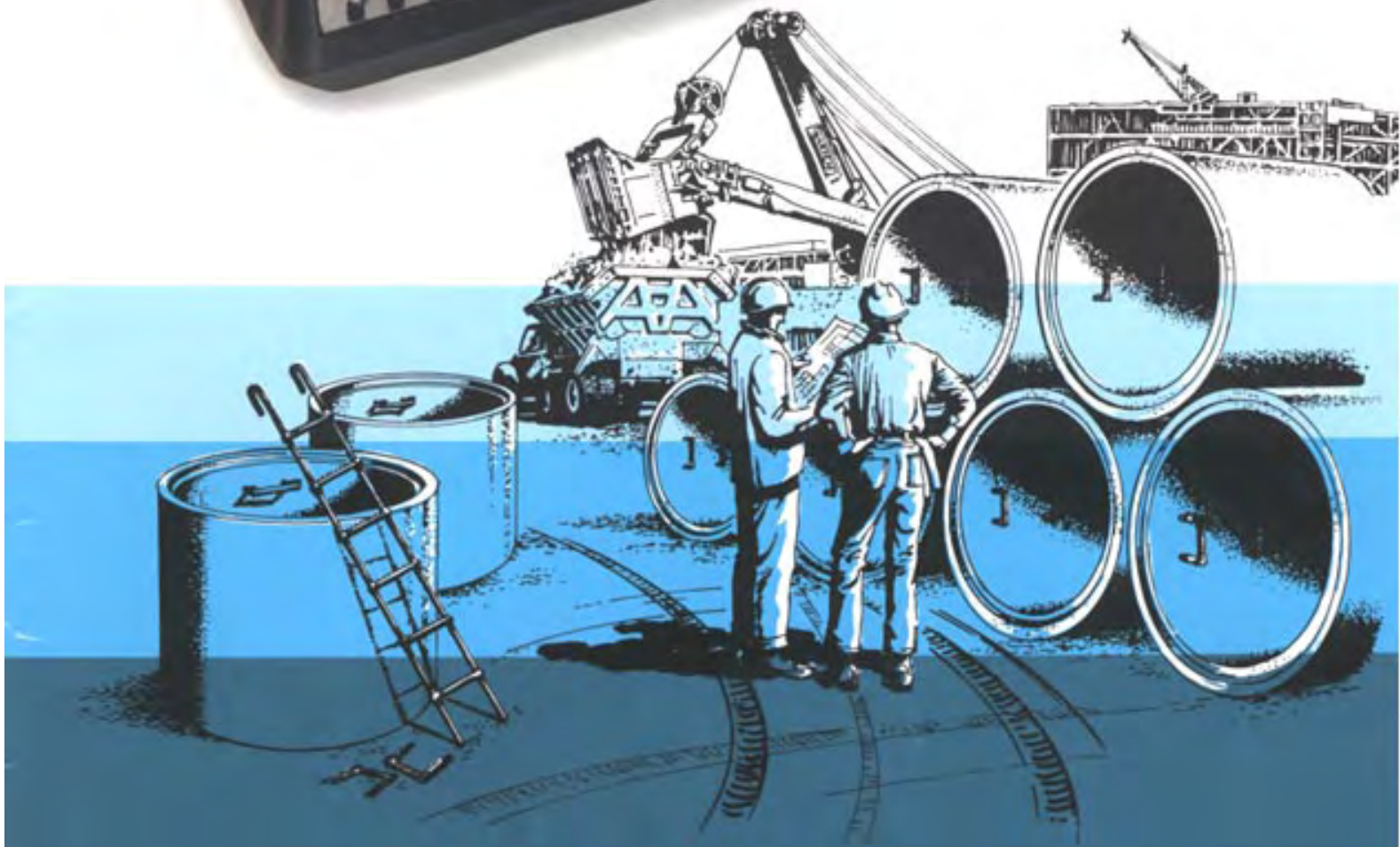


LANE POLYPROPYLENE MANHOLE STEPS and LADDERS



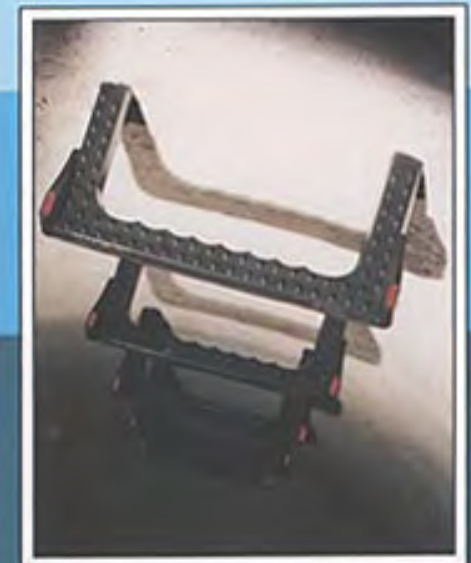
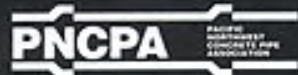
LANE INTERNATIONAL CORPORATION

LANE POLYPROPYLENE MANHOLE STEPS

*Added Safety
Every Step of the Way!*

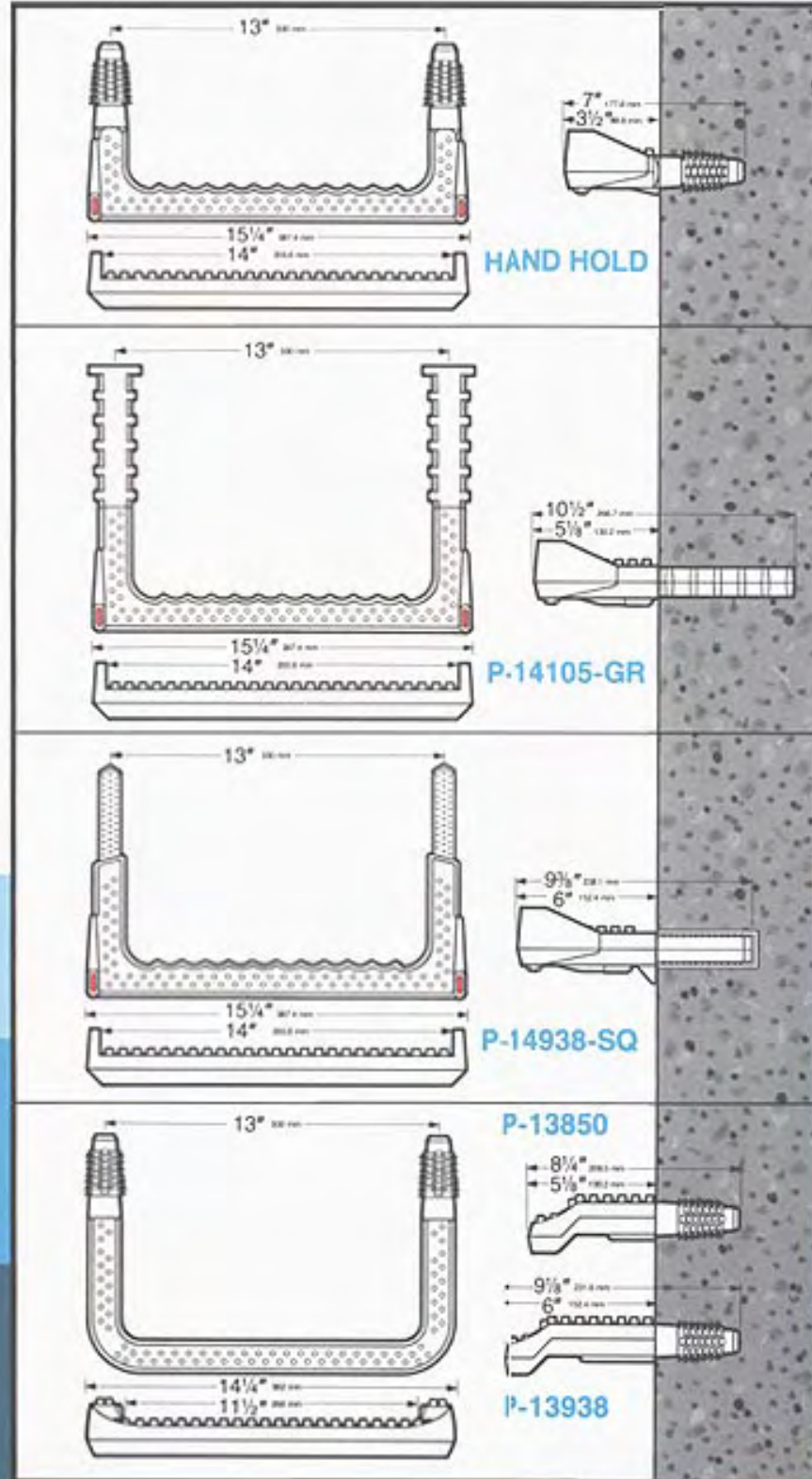
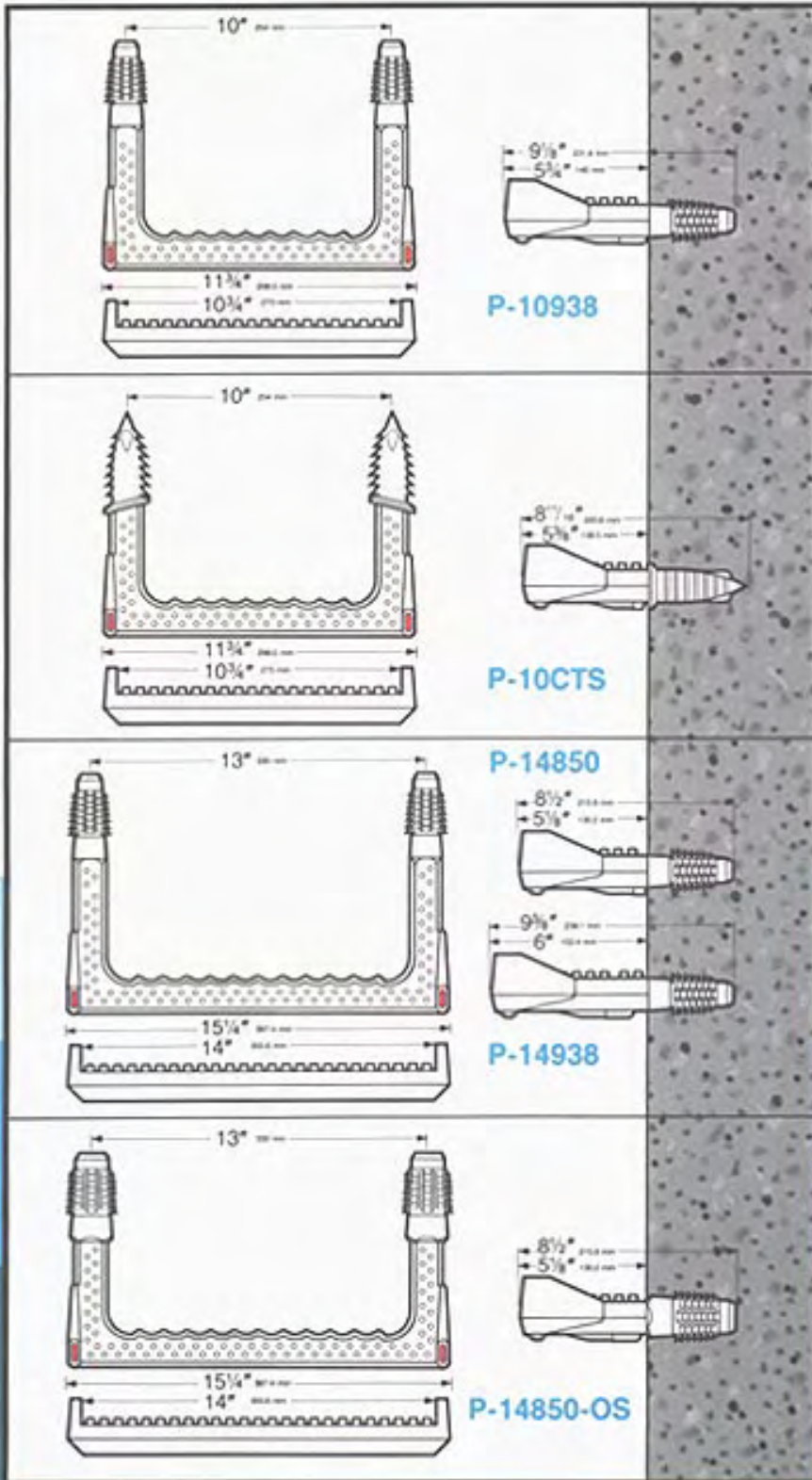


Lane International Corporation is located in the beautiful Willamette Valley, just 5 miles south of Portland in Tualatin, Oregon. Lane International has been manufacturing quality products for the precast concrete industry for over 30 years. Dedicated to providing our customers with the latest in design and safety features, the Lane Polypropylene Steps are the first step to be offered with molded hand grips and reflectors, making it the safest, most innovative product of its kind. Also available are galvanized and stainless steel manhole steps, pulling irons, lifting hooks and median barrier connecting loops, pins and anchors which are manufactured to our strict quality standards. Lane International continues to lead the industry in product development, reliability and service.





Manhole Steps . . . Injection molded of tough Copolymer Polypropylene



SPECIFICATIONS

All Lane Poly Steps meet the requirements of ASTM C-478 and AASHTO M-199. The polypropylene conforms to ASTM D-4101. The 1/2" Grade 60 deformed reinforcing bar meets ASTM A-615.



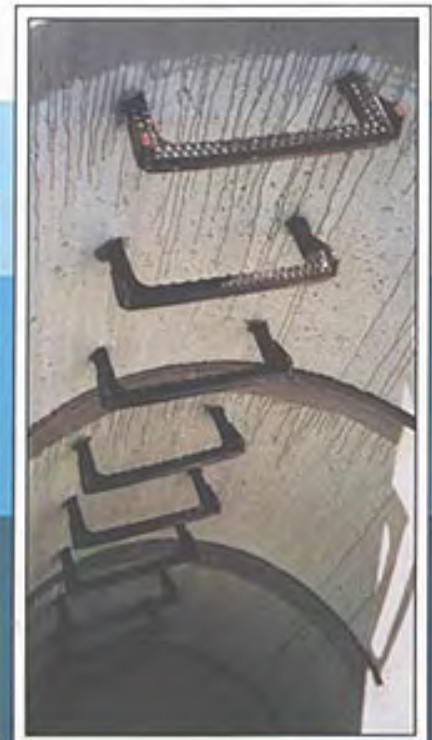
Actual Size

INSTALLATION

Drive into preformed holes with a 6 to 10 lb. sledge hammer, after concrete is cured to 3,000 PSI minimum.

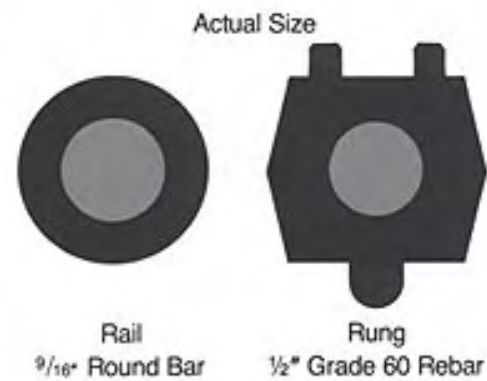
Steps can be driven into two parallel 1" diameter drilled holes, 13" or 10" on center, 3 1/2" deep.

The above methods will resist a pullout force of over 1,500 lbs.



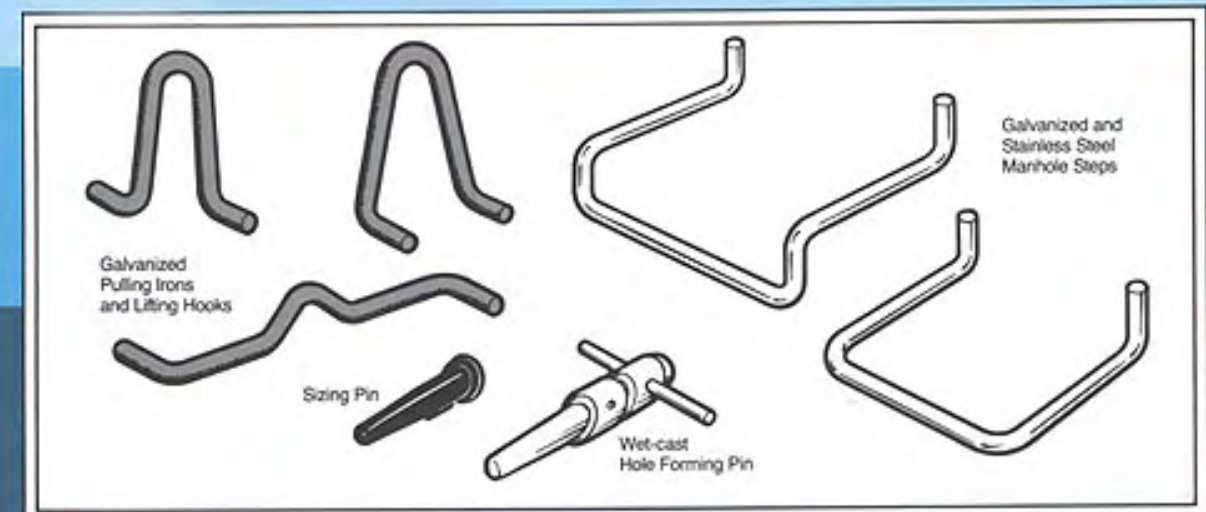
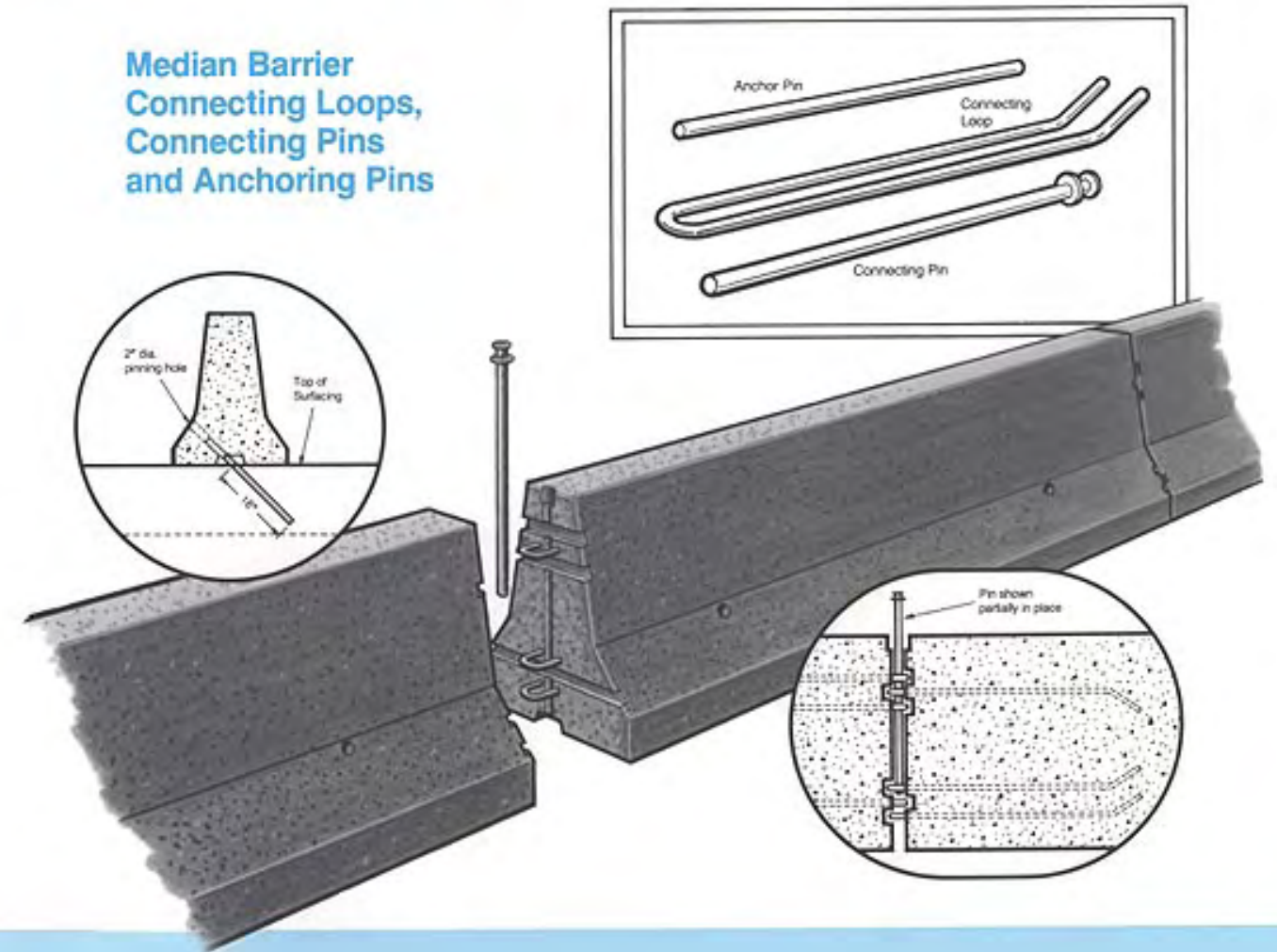
LANE POLYPROPYLENE LADDERS

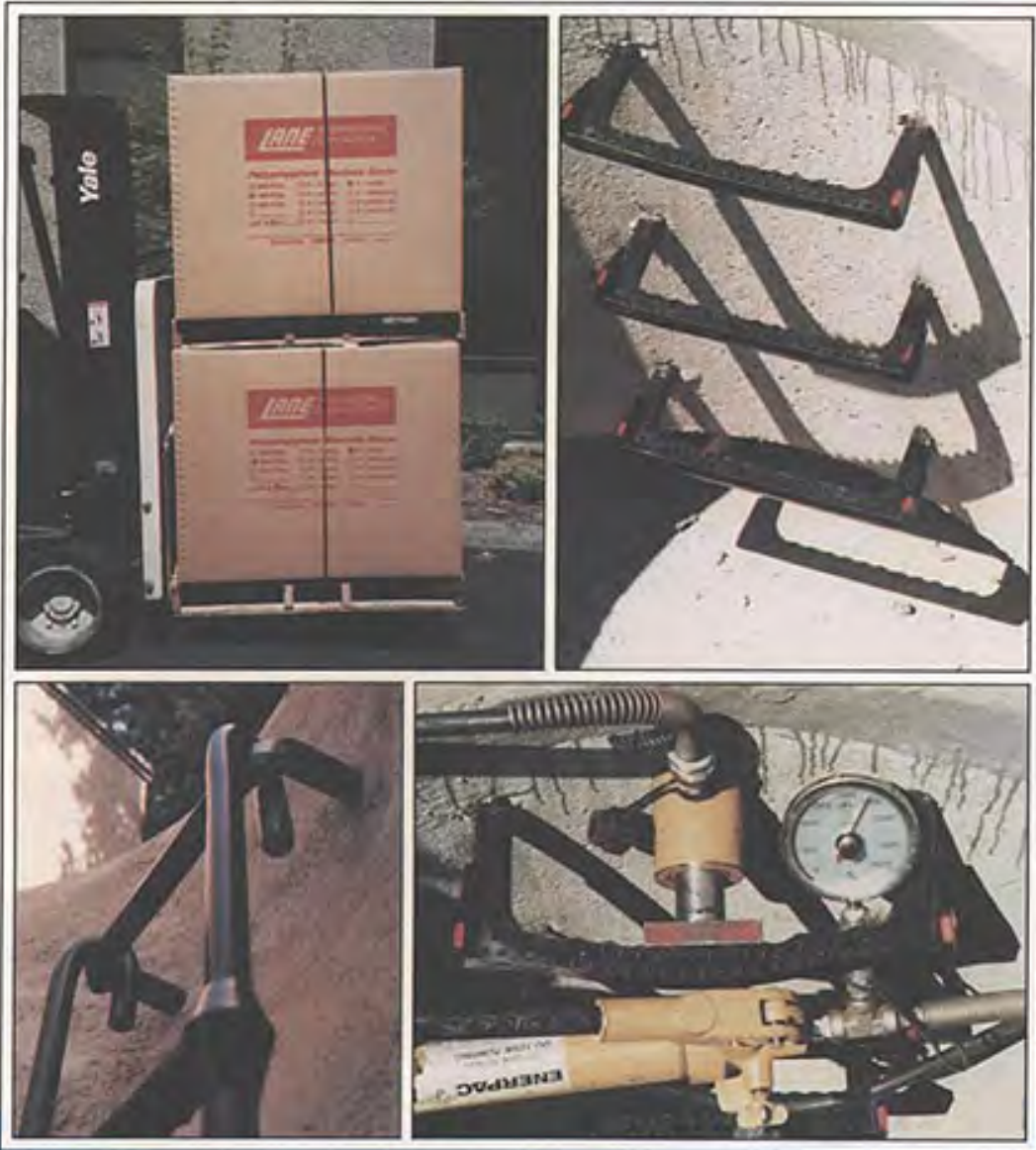
Lane International Corporation has developed and patented the first Steel Reinforced Polypropylene Ladder. The 11½" stepping width is suitable for manholes and vaults and can be made to any length up to 12 ft. The ladder meets all ASTM C-497 load requirements.



LANE ADDITIONAL PRODUCTS FOR THE PRECASTER

Median Barrier
Connecting Loops,
Connecting Pins
and Anchoring Pins





Pull test per ASTM C-497

IRRE INTERNATIONAL CORPORATION

P.O. Box 925 • 10758 SW Manhasset Drive
Tualatin, OR 97062
PH: (503) 692-9860 • FAX: (503) 692-9863

1-800- 666-0076

Printed in USA