



7520 Conrad Street
Burnaby, B.C. V5A 2H7

Phone : 604 415-9944
Fax : 604 415-9954

DRAWN BY : R.H.	DATE DRAWN : MARCH 06/13
--------------------	-----------------------------

APPROVED :

REVISION : NO:	DATE:
-------------------	-------

SCALE :

LOAD RATING

MATERIAL SPECIFICATION:
SEE DWG. NO. 19

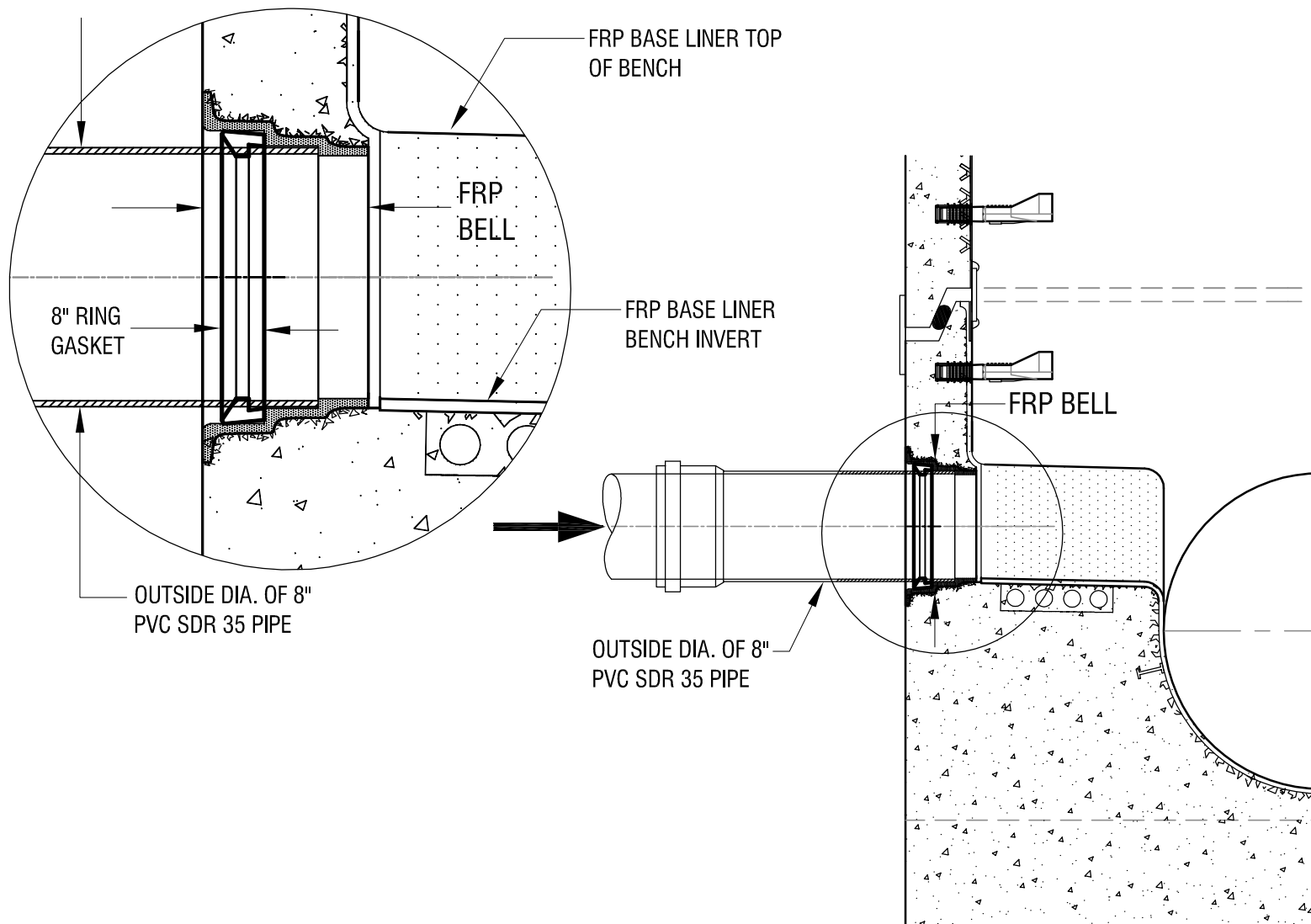
SPECIFIED FOR:

DESCRIPTION:

PREDL 200mm FRP BELL
INSTALLATION DETAIL

DWG. NO. 6B	REV. NO. *
-----------------------	----------------------

CATALOG NUMBER:



SECTION A-A

PREDL 200mm FRP BELL INSTALLATION DETAIL

N.T.S.

NOTES : Technical Specification of Raw Materials for Predl
System Polypropylene Base Liner (SEE DWG. 19)