

SDR 26 PVC PIPE DIMENSION SPECIFICATIONS

SIZE	O.D.		I.D.		WALL THICKNESS		BELL TYPE
	INCH	mm	INCH	mm	INCH	mm	
6"	152.40	6.275 / 159.38	5.793 / 147.142	0.241 / 6.121	PP-R / FRP		
8"	203.20	8.400 / 213.36	7.754 / 196.952	0.323 / 8.204	PP-R / FRP		
10"	254.00	10.500 / 266.70	9.692 / 246.177	0.404 / 10.262	PP-R / FRP		
12"	304.80	12.500 / 317.50	11.538 / 293.065	0.481 / 12.217	PP-R / FRP		
15"	381.00	15.300 / 388.62	14.124 / 358.750	0.588 / 14.935	/ FRP		

INCHES TIMES 25.4 EQUALS MILLIMETERS

SDR 35 PVC PIPE DIMENSION SPECIFICATIONS

SIZE	O.D.		I.D.		WALL THICKNESS		BELL TYPE
	INCH	mm	INCH	mm	INCH	mm	
6"	152.40	6.275 / 159.38	5.915 / 150.241	0.180 / 4.572	PP-R / FRP		
8"	203.20	8.400 / 213.36	7.920 / 201.128	0.240 / 6.096	PP-R / FRP		
10"	254.00	10.500 / 266.70	9.900 / 251.460	0.300 / 7.620	PP-R / FRP		
12"	304.80	12.500 / 317.50	11.780 / 299.212	0.360 / 9.144	PP-R / FRP		
15"	381.00	15.300 / 388.62	14.426 / 366.420	0.437 / 11.100	/ FRP		

INCHES TIMES 25.4 EQUALS MILLIMETERS

PS46, ASTM F679 PVC PIPE DIMENSION SPECIFICATIONS

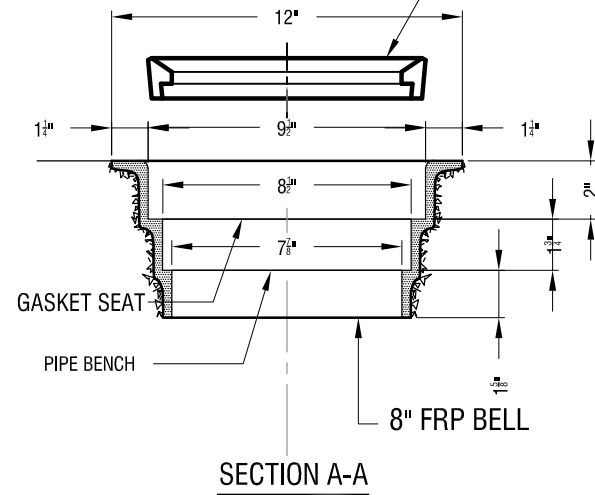
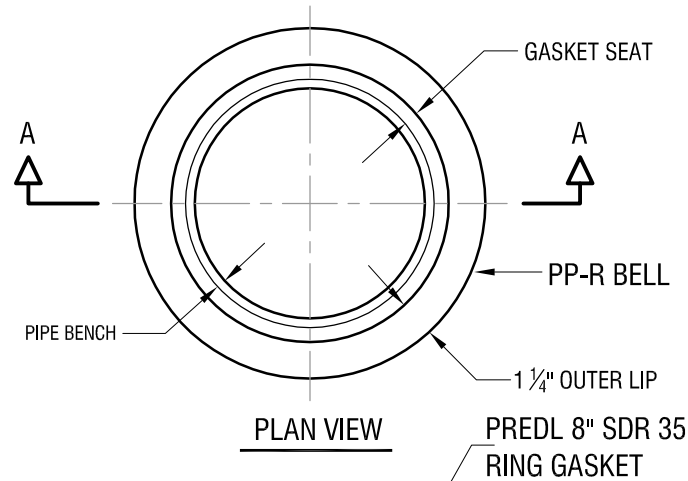
SIZE	O.D.		I.D.		WALL THICKNESS		BELL TYPE
	INCH	mm	INCH	mm	INCH	mm	
18"	457.20	18.701 / 475.01	17.629 / 477.777	0.499 / 12.675			
21"	533.40	22.047 / 559.99	20.783 / 527.888	0.588 / 14.935	/ FRP		
24"	609.60	24.803 / 630.00	23.381 / 593.877	0.661 / 16.789	/ FRP		
27"	685.80	27.953 / 710.01	26.351 / 669.154	0.745 / 18.923	/ FRP		
30" CIOD	762.00	32.00 / 812.80	30.194 / 785.216	0.853 / 21.666	/ FRP		
36" CIOD	914.40	38.300 / 972.82	36.042 / 915.467	1.021 / 25.933	/ FRP		
42" CIOD	1,066.80	44.500 / 1,130.30	41.948 / 1,065.48	1.187 / 30.150	/ FRP		
48" CIOD	1,219.20	50.800 / 1,290.32	47.888 / 1,216.36	1.355 / 34.417	/ FRP		

INCHES TIMES 25.4 EQUALS MILLIMETERS

PS115, ASTM F679 PVC PIPE DIMENSION SPECIFICATIONS

SIZE	O.D.		I.D.		WALL THICKNESS		BELL TYPE
	INCH	mm	INCH	mm	INCH	mm	
18"	457.20	18.701 / 475.01	17.261 / 438.429	0.671 / 17.043	/ FRP		
21"	533.40	22.047 / 559.99	20.349 / 516.865	0.791 / 20.091	/ FRP		
24"	609.60	24.803 / 630.00	22.891 / 581.431	0.889 / 22.581	/ FRP		
27"	685.80	27.953 / 710.01	25.799 / 655.295	1.002 / 25.451	/ FRP		
30" CIOD	762.00	32.00 / 812.80	29.070 / 738.378	1.148 / 29.159	/ FRP		
36" CIOD	914.40	38.300 / 972.82	35.464 / 900.786	1.373 / 34.874	/ FRP		
42" CIOD	1,066.80	44.500 / 1,130.30	41.072 / 1,043.23	1.596 / 40.538	/ FRP		
48" CIOD	1,219.20	50.800 / 1,290.32	46.886 / 1,190.90	1.822 / 46.279	/ FRP		

INCHES TIMES 25.4 EQUALS MILLIMETERS



PREDL 200mm FRP BELL ASSEMBLY DETAIL

N.T.S.

NOTES : Technical Specification of Raw Materials for Predl System Polypropylene Base Liner (SEE DWG. 19)



7520 Conrad Street
Burnaby, B.C. V5A 2H7

Phone : 604 415-9944
Fax : 604 415-9954

DRAWN BY : R.H. DATE DRAWN : MARCH 06/13

APPROVED :

REVISION : NO: DATE:

SCALE :

LOAD RATING

MATERIAL SPECIFICATION:

SEE DWG. NO. 19

SPECIFIED FOR:

METRO VANCOUVER

DESCRIPTION:

PREDL 200mm FRP BELL ASSEMBLY DETAIL

DWG. NO. 6A REV. NO. *

CATALOG NUMBER: