

JOINT DETAIL CONNECTIONG FRP BASE LINER TO PP-R WALL LINER WITH CAP STRIP AND SEALANT ONLY N.T.S.

MATERIAL SPECIFICATION

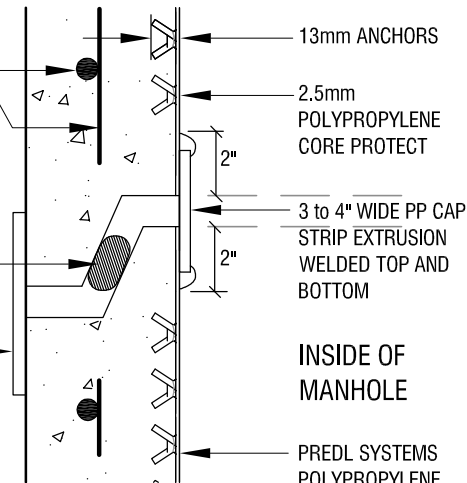
Technical Specifications for Predl Systems Polypropylene (PP) or Fiber Reinforced Plastic Base Liner and Corprotect Concrete Protective Liner (CPL) Welding rods shall be of the same resins and meet the same standards.

STEEL REINFORCING AS PER PRE CAST CONC. MANUFACTURERS SPECIFICATIONS.

OUTSIDE OF MANHOLE

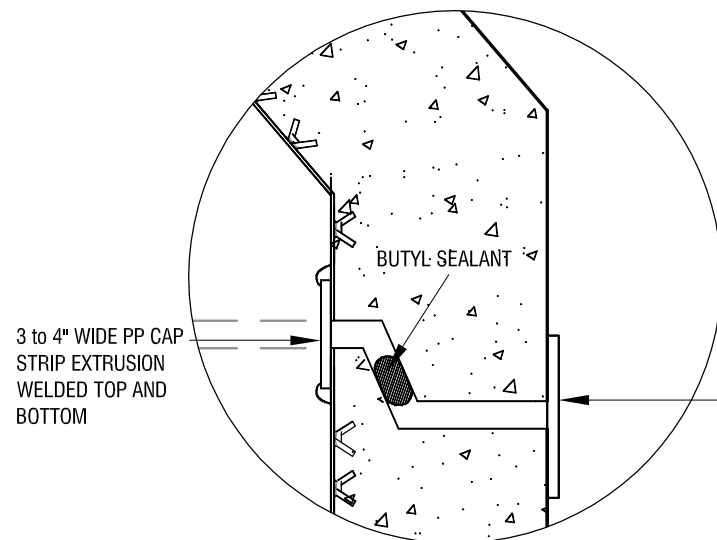
BUTYL SEALANT

EXTERNAL JOINT SEALANT AS PER ASTM 877 TO PROVIDE COMPLETE SEAL (TYPICAL)



CAP STRIP JOINT DETAIL

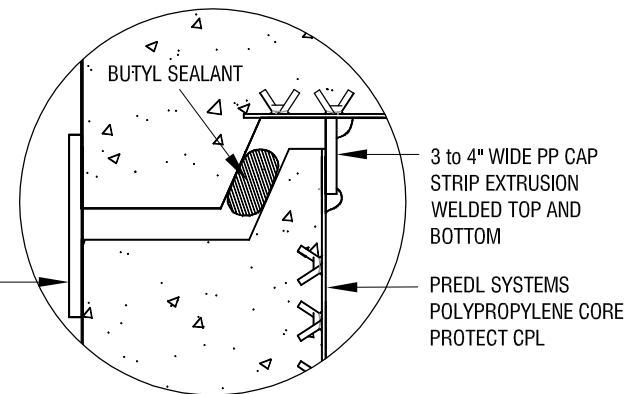
N.T.S.



CAP STRIP AND BUTYL SEALANT JOINT DETAIL FOR ECCENTRIC STYLE MH LID

N.T.S.

EXTERNAL JOINT SEALANT



CAP STRIP AND SEALANT ONLY FOR FLAT TOP MANHOLE

N.T.S.