

MATERIAL SPECIFICATION

Technical Specifications for Predl Systems Polypropylene (PP) or Fiber Reinforced Plastic Base Liner and Corprotect Concrete Protective Liner (CPL) Welding rods shall be of the same resins and meet the same standards.



7520 Conrad Street
Burnaby, B.C. V5A 2H7

Phone : 604 415-9944
Fax : 604 415-9954

DRAWN BY : R.H. DATE DRAWN : MARCH 06/13

APPROVED :

REVISION : NO: DATE:

SCALE :

LOAD RATING

MATERIAL SPECIFICATION:

SEE DWG. NO. 19

SPECIFIED FOR:

METRO VANCOUVER

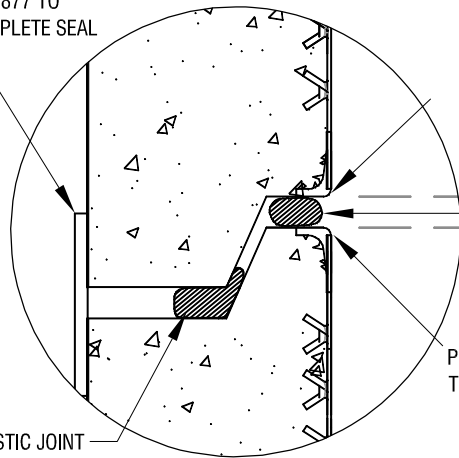
DESCRIPTION:

PREDL SYSTEMS TURNBACK AND CAP STRIP JOINT DETAILS FOR FULLY LINED PRECAST MANHOLES

DWG. NO. 4C REV. NO. *

CATALOG NUMBER:

EXTERNAL JOINT SEALANT AS PER ASTM 877 TO PROVIDE COMPLETE SEAL (TYPICAL)



OPTIONAL TURNBACK JOINT DETAIL

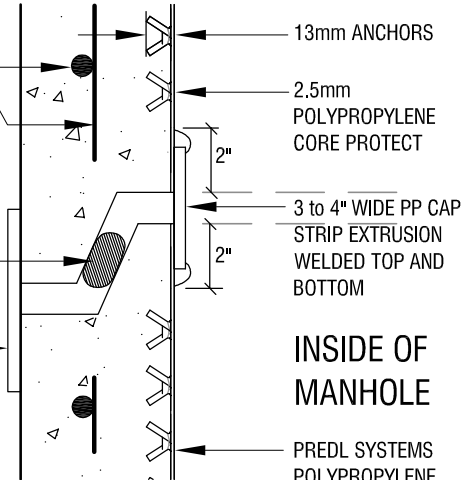
N.T.S.

STEEL REINFORCING AS PER PRE CAST CONC. MANUFACTURERS SPECIFICATIONS.

OUTSIDE OF MANHOLE

BUTYL SEALANT

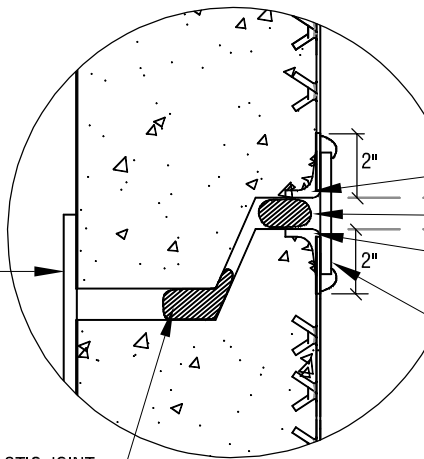
EXTERNAL JOINT SEALANT AS PER ASTM 877 TO PROVIDE COMPLETE SEAL (TYPICAL)



CAP STRIP JOINT DETAIL

N.T.S.

EXTERNAL JOINT SEALANT AS PER ASTM 877 TO PROVIDE COMPLETE SEAL (TYPICAL)



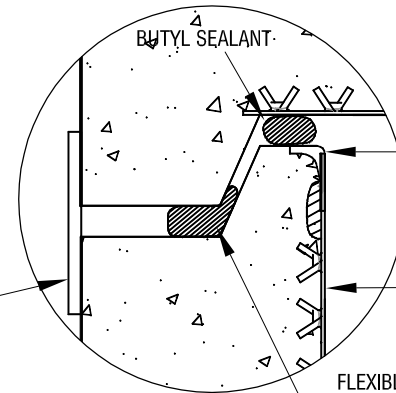
OPTIONAL TURNBACK AND CAP STRIP JOINT DETAIL

POLYPROPYLENE/FRP TURNBACK WITH BUTYL SEALANT DETAIL N.T.S.

POLYPROPYLENE/FRP TURNBACK
BUTYL SEALANT
POLYPROPYLENE/FRP TURNBACK
3 TO 4" WIDE PP CAP STRIP EXTRUSION WELDED TOP AND BOTTOM

FLEXIBLE PLASTIC JOINT SEALANT

EXTERNAL JOINT SEALANT



TURNBACK FOR FLAT TOP 1M TALL MANHOLE FROM BENCH TO LID UNDERSIDE

N.T.S.

POLYPROPYLENE/FRP TURNBACK

PREDL SYSTEMS POLYPROPYLENE CORE PROTECT CPL

FLEXIBLE PLASTIC JOINT SEALANT