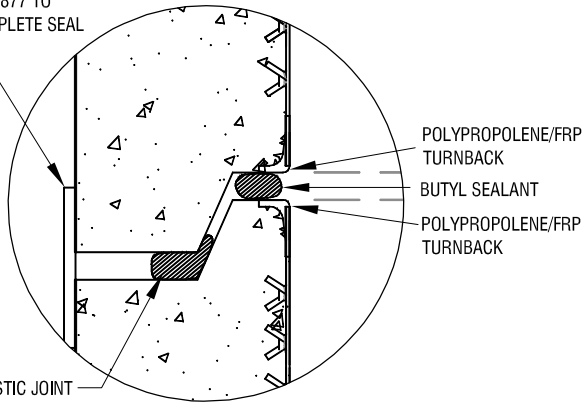
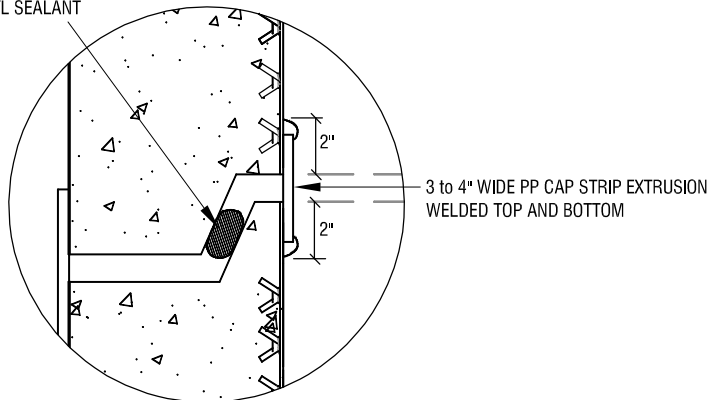



EXTERNAL JOINT SEALANT AS PER ASTM 877 TO PROVIDE COMPLETE SEAL (TYPICAL)



**OPTIONAL  
TURNBACK JOINT DETAIL**  
N.T.S.

BUTYL SEALANT



**OPTIONAL  
CAP STRIP JOINT DETAIL**  
N.T.S.

STEEL REINFORCING AS PER PRE CAST CONC. MANUFACTURERS SPECIFICATIONS.

OUTSIDE OF  
MANHOLE

EXTERNAL JOINT SEALANT AS PER ASTM 877 TO PROVIDE COMPLETE SEAL (TYPICAL)

FLEXIBLE PLASTIC JOINT SEALANT

**TURNBACK AND CAP STRIP JOINT DETAIL**

POLYPROPYLENE/FRP TURNBACK WITH BUTYL SEALANT DETAIL N.T.S.

**MATERIAL SPECIFICATION**

Technical Specifications for Predl Systems Polypropylene ( PP ) or Fiber Reinforced Plastic Base Liner and Corprotect Concrete Protective Liner ( CPL ) Welding rods shall be of the same resins and meet the same standards.

**NOTES :**

Technical Specification of Raw Materials for Predl System Polypropylene Liner ( SEE SHTS. PREVIOUS )

2.5mm POLYPROPYLENE CORE PROTECT (N.T.S.)

INSIDE OF  
MANHOLE

13mm ANCHORS

1"

2"

2"

POLYPROPYLENE/FRP TURNBACK

BUTYL SEALANT

POLYPROPYLENE/FRP TURNBACK

3 to 4" WIDE PP CAP STRIP EXTRUSION WELDED TOP AND BOTTOM

PREDL SYSTEMS POLYPROPYLENE CORE PROTECT CPL