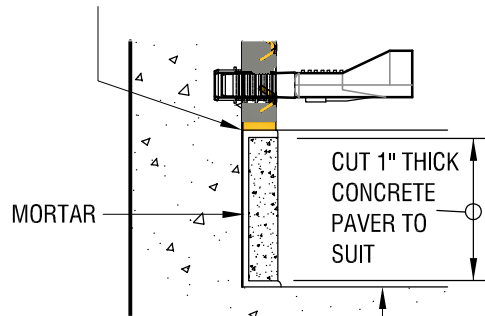


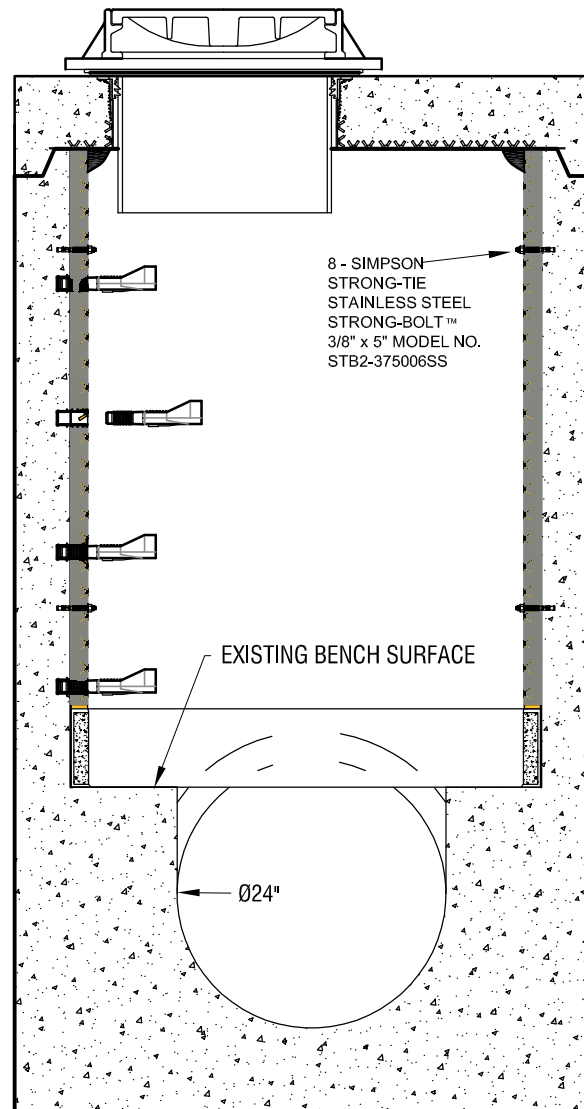
LADDER INSERT DETAIL

UNDERSIDE OF 3/8" THICK
39" DIA. BOTTOM RING



EXISTING BENCH SURFACE

LINER SUPPORT DETAIL



8 - SIMPSON
STRONG-TIE
STAINLESS STEEL
STRONG-BOLT™
3/8" x 5" MODEL NO.
STB2-375006SS

EXISTING BENCH SURFACE

Ø24"

EXTRUSION WELD
ALL AROUND

EXTRUSION WELD DETAIL

SIMPSON
STRONG-TIE
STAINLESS STEEL
STRONG-BOLT™
3/8" x 5" MODEL NO.
STB2-375006SS

WALL PLUG/LINER SUPPORT DETAIL



SIMPSON STRONG-TIE STAINLESS STEEL STRONG-BOLT™
3/8" x 5" MODEL NO. STB2-375006SS