



7520 Conrad Street  
Burnaby, B.C. V5A 2H7

Phone : 604 415-9944  
Fax : 604 415-9954

DRAWN BY : R.H.	DATE DRAWN : MAY 08/13
--------------------	---------------------------

APPROVED :

REVISION : NO:	DATE:
-------------------	-------

SCALE : NOT TO SCALE

LOAD RATING

MATERIAL SPECIFICATION:

SEE DWG. SHT. NO. 19 FOR  
MATERIAL SPEC'S

SPECIFIED FOR:

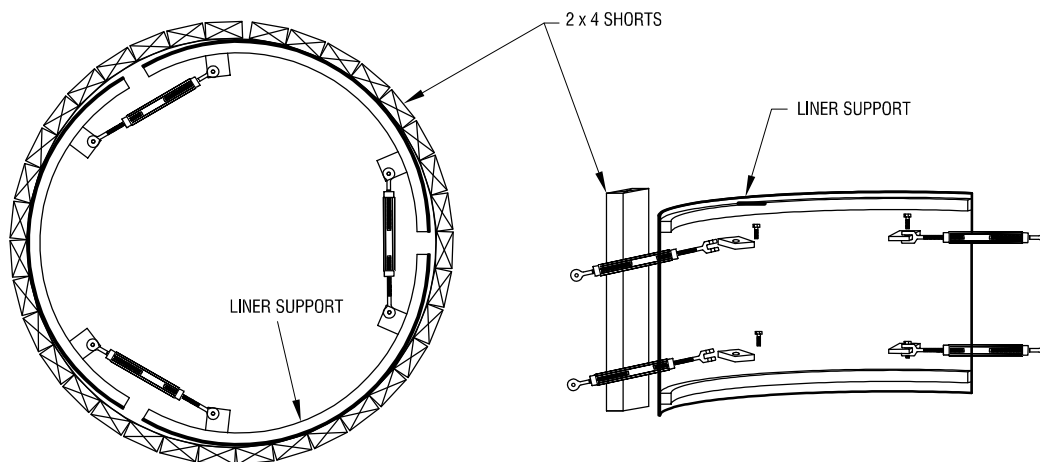
**CITY OF ABBOTSFORD**

DESCRIPTION:

42" DIA. WALL LINER  
REHAB SUPPORT TOOL -  
CITY OF ABBOTSFORD

DWG. NO. <b>31.2</b>	REV. NO. <b>*</b>
-------------------------	----------------------

CATALOG NUMBER:



SIZE: MAXIMUM 48" DIA. MANHOLE  
MINIMUM 36" DIA. MANHOLE

**INSTRUCTIONS:**

ASSEMBLE 3 SECTIONS OF LINER SUPPORT AS SHOWN THEN  
PLACE 2 x 4 VERTICALLY BETWEEN POLYPROPYLENE LINER  
AND LINER SUPPORT THEN EXPAND LINER SUPPORTS AS  
REQUIRED.