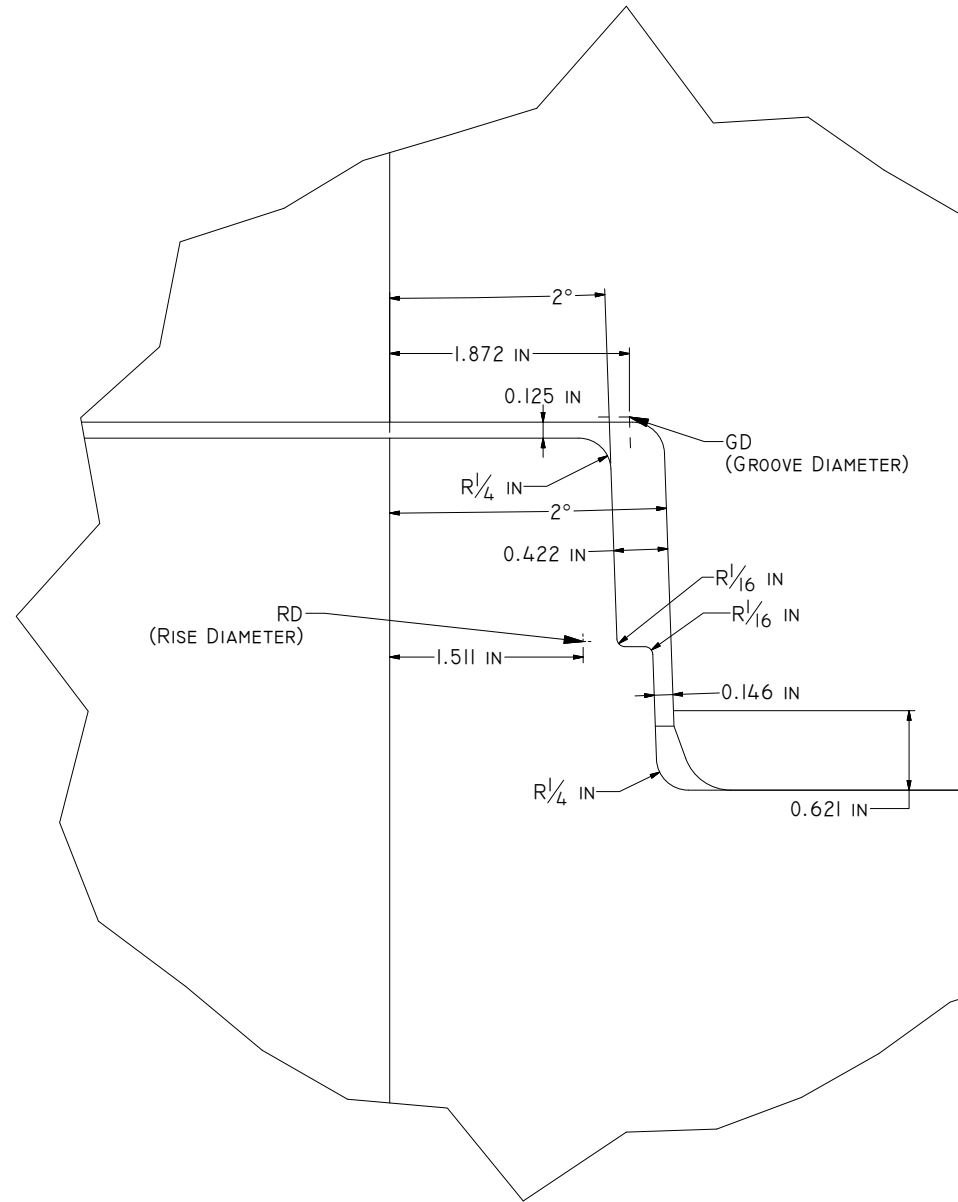
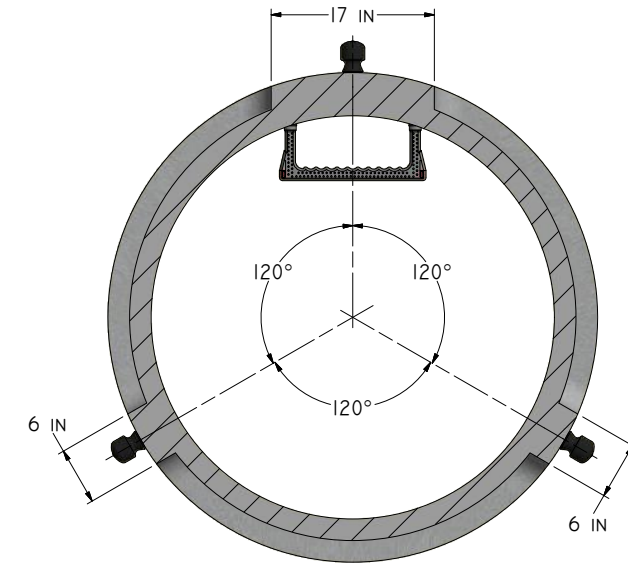


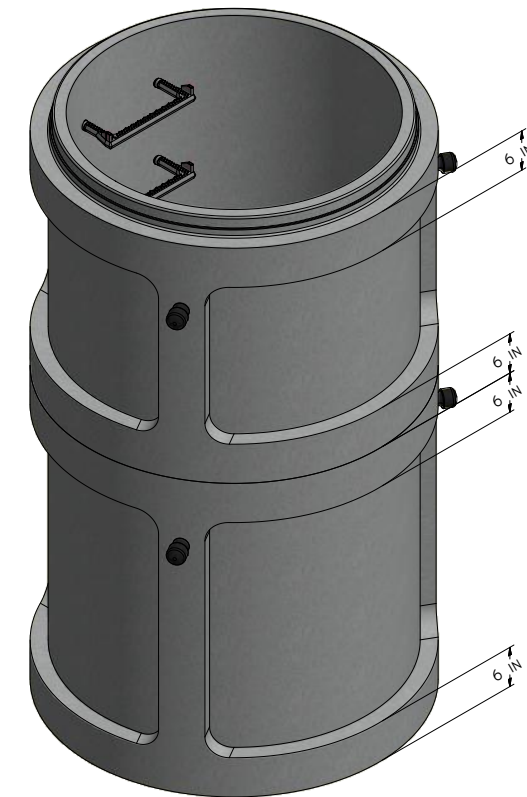
SECTION A-A
SCALE 1 : 20





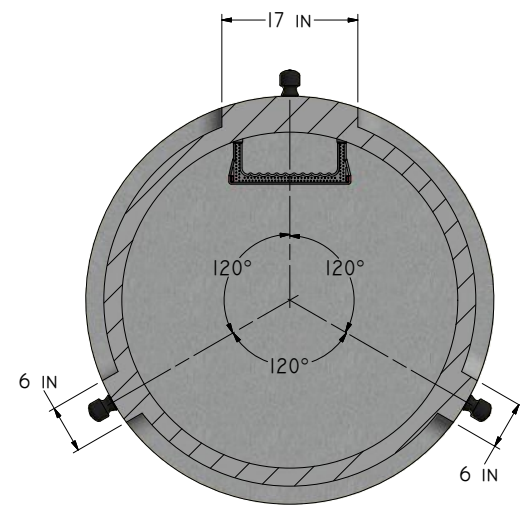
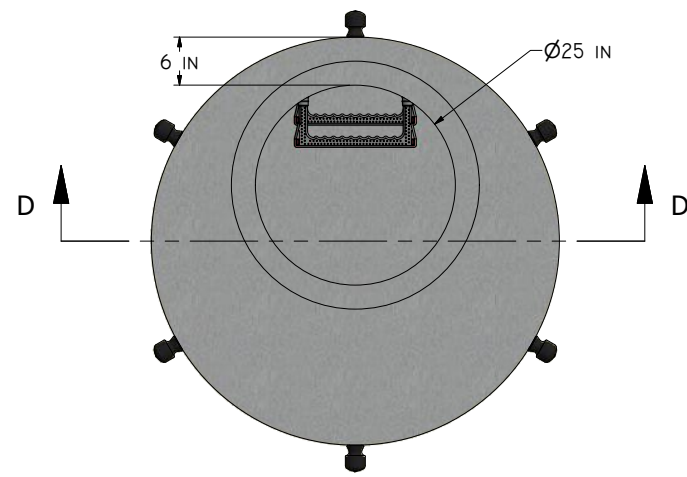
DETAIL B
SCALE 2 / 3



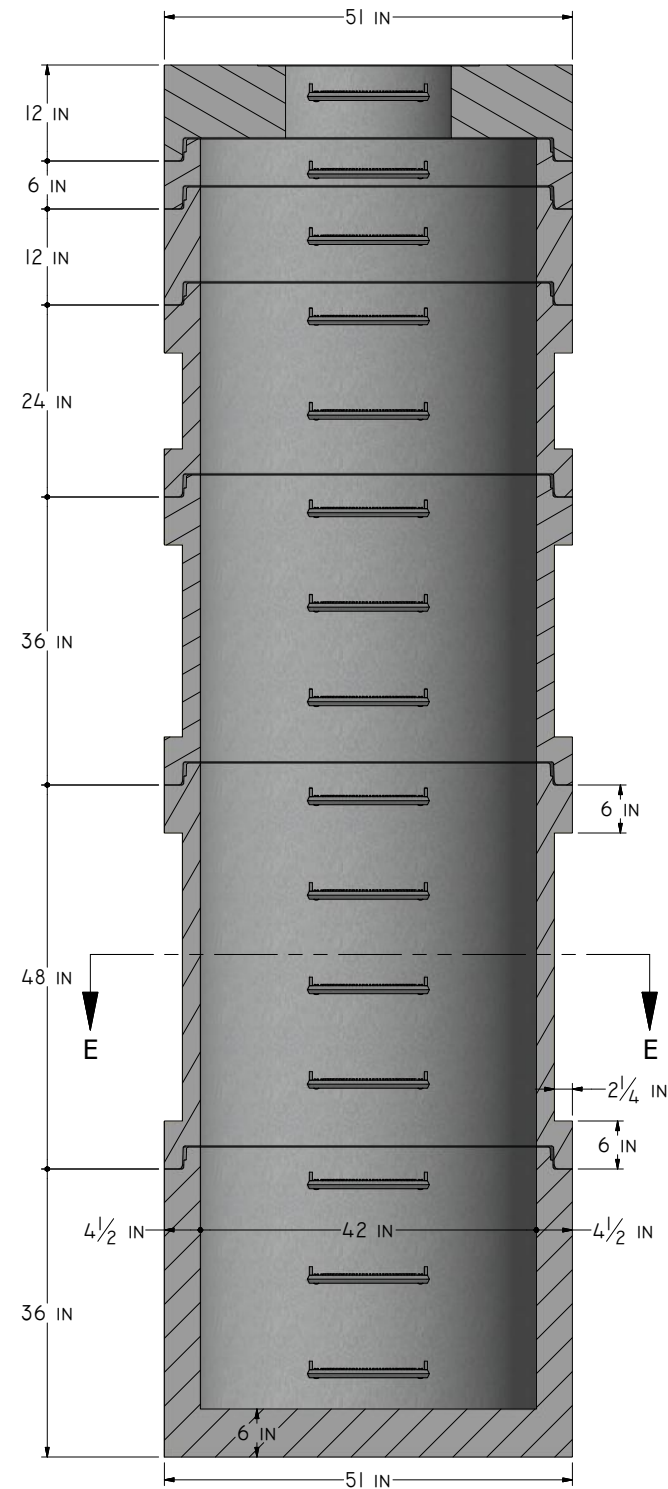
SECTION C-C
SCALE 1 : 20



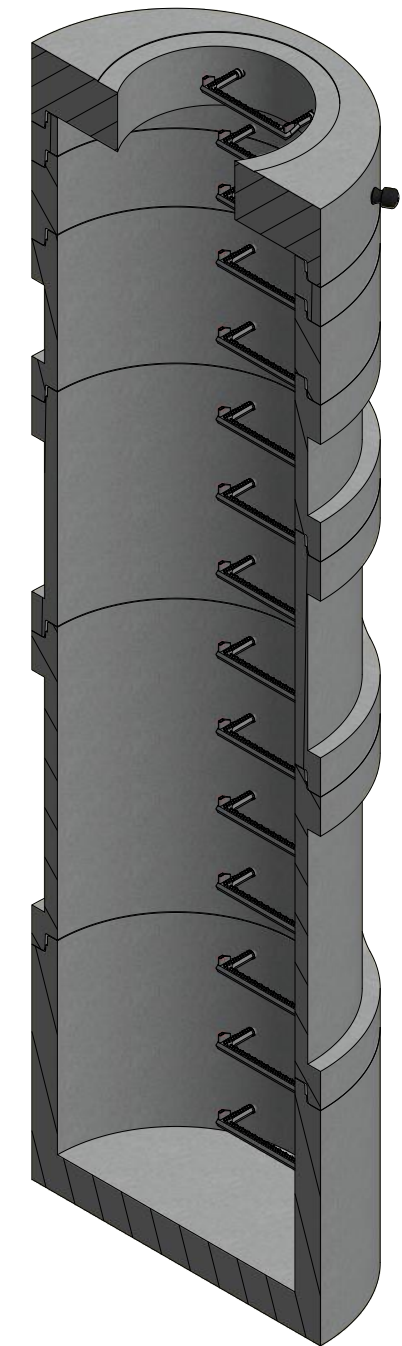
 	
<p>Concrete Protective Liners</p>	
<p>DRAWING DESCRIPTION: 42 IN CONCRETE BARRELS</p>	
<p>42 IN BARREL WITH SHORT MANHOLE JOINT</p>	
<p>SCALE: AS NOTED</p>	<p>DWG NO: 42 IN CONCRETE BARRELS</p>
<p>DATE DRAWN: MAY-26-2016</p>	<p>DRAWN BY: RT</p>
<p>7520 CONRAD STREET BURNABY, B.C. V5A 2H7</p>	<p>PHONE : 604 415-5181</p>
<p>INFO@DIAMONDPRECAST.COM</p>	<p>REV NO: -</p>





SECTION E-E
SCALE 1 : 24



SECTION D-D
SCALE 1 : 24



 	
<p>Concrete Protective Liners</p>	
<p>DRAWING DESCRIPTION: 42 IN CONCRETE BARRELS WITH SHORT MANHOLE JOINT</p>	
<p>DWG NO: 42 IN CONCRETE BARRELS</p>	<p>DATE DRAWN: MAY-26-2016</p>
<p>SCALE: AS NOTED</p>	<p>DRAWN BY: RT</p>
<p>7520 CONRAD STREET BURNABY, B.C. V5A 2H7 PHONE : 604 415-5181 INFO@DIAMONDPRECAST.COM</p>	