



7520 Conrad Street
Burnaby, B.C. V5A 2H7

Phone : 604 415-9944
Fax : 604 415-9954

| | |
|--------------------|-----------------------------|
| DRAWN BY : R.H. | DATE DRAWN : MARCH 22/13 |
|--------------------|-----------------------------|

APPROVED :

| | |
|-------------------|-------|
| REVISION : NO: | DATE: |
|-------------------|-------|

SCALE :

LOAD RATING

MATERIAL SPECIFICATION:

SEE DWG. NO. 19

SPECIFIED FOR:

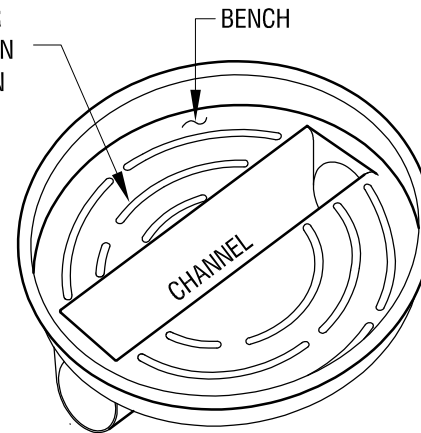
DESCRIPTION:

PREDL SYSTEM TEXTURED BASE
LINER DETAILS

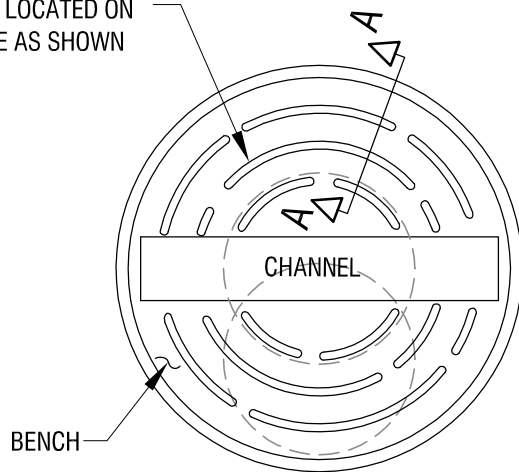
| | |
|-----------------------|----------------------|
| DWG. NO. 3C | REV. NO. * |
|-----------------------|----------------------|

CATALOG NUMBER:

SURE GRIP - NON SKID PP-R
STYLE TEXTURE LOCATED ON
BENCH SURFACE AS SHOWN



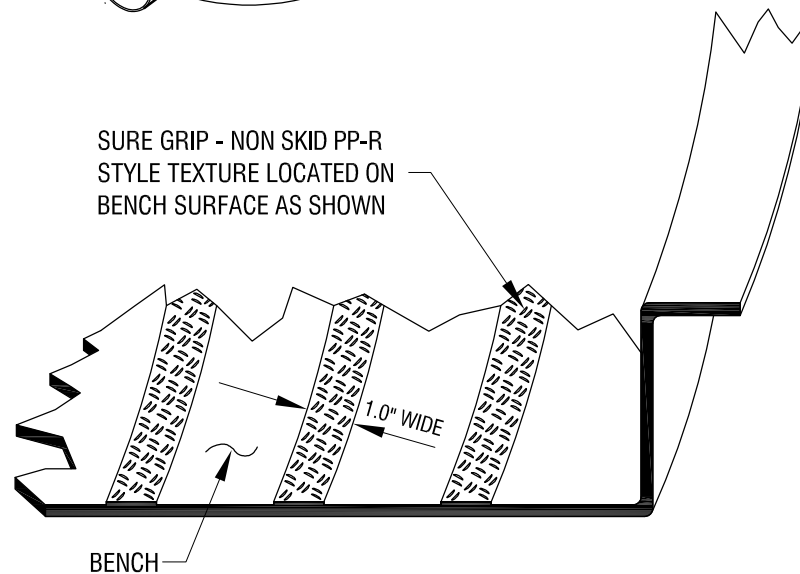
SURE GRIP - NON SKID PP-R
STYLE TEXTURE LOCATED ON
BENCH SURFACE AS SHOWN



PLAN VIEW

N.T.S.

SURE GRIP - NON SKID PP-R
STYLE TEXTURE LOCATED ON
BENCH SURFACE AS SHOWN



SECTION A-A

N.T.S.

PREDL SYSTEM TEXTURED BASE LINER