



7520 Conrad Street
Burnaby, B.C. V5A 2H7

Phone : 604 415-9944
Fax : 604 415-9954

DRAWN BY :	DATE DRAWN :
R.H.	DEC. 05/12

APPROVED :

REVISION :	DATE:
NO:	

SCALE :
LOAD RATING

MATERIAL SPECIFICATION:
SEE DWG. NO. 19

SPECIFIED FOR:

DESCRIPTION:
PREDL SYSTEMS FULLY LINED
MANHOLE BASE WITH ECCENTRIC
STYLE LID, LADDER RUNGS NON
SKID BASELINER AND EXTENDED
BASE

DWG. NO.	REV. NO.
3B	*

CATALOG NUMBER:

24" OPENING IN ECCENTRIC CONE OR ECCENTRIC FLAT
TOP TELESCOPIC LID LINER
(SEE FLAT TOP DETAIL DWG. 5BC) OR (SEE ECCENTRIC
CONE STYLE LID DWG.S 10A, 10AA, 10AAA, 10AAAA, 10B)

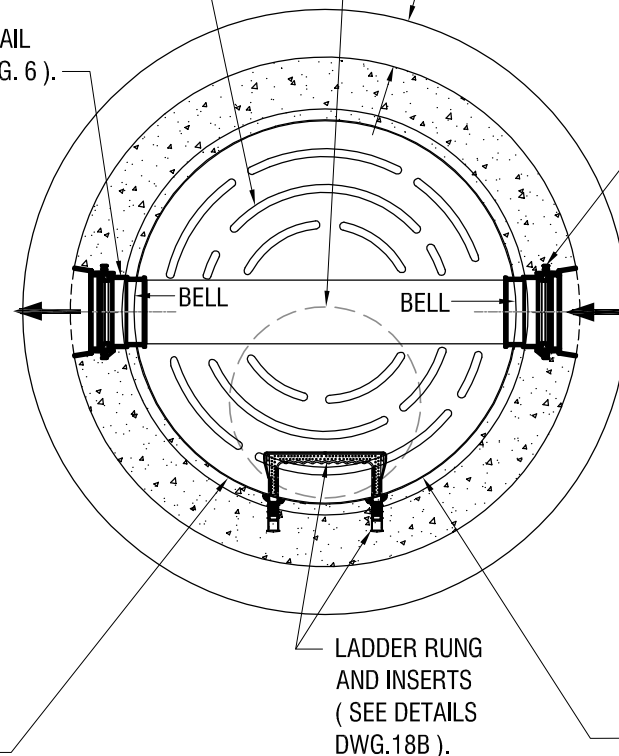
SURE GRIP - NON SKID PP-R
STYLE TEXTURE LOCATED ON
BENCH SURFACE AS SHOWN
(SEE DETAIL. DWG. 3C)

EXTENDED BASE

BELL DETAIL
(SEE DWG. 6).

BELL DETAIL
(SEE DWG. 6).

FOR BELL
INSTALLATION DETAIL
(SEE DWG. 6B)



LADDER RUNG
AND INSERTS
(SEE DETAILS
DWG.18B).

Wall of base section to be lined
with "Corprotect 2.5mm Yellow
PP with 13mm anchors
Concrete Protective Liner
(CPL)" (Agru Sure Grip 560)
For spec's see dwg. No. 19

NOTES:

- A. The baseliner and the wall liner are compatible and form a homogeneous lining system designed to make the structure gas tight and watertight (ASTM 1244)
- B. All welded seams will be spark tested in accordance with spark-tester manufacturers instructions.
- C. After all pipes are installed and backfilled the manhole may at the engineer's option, be vacuum tested in accordance with ASTM C1244 (latest revision).
- D. Only Predl Certified Welders and Fabricators are authorized to fabricate, repair, weld or test, the baseliners or wall liners.

Predl Systems Baseliner made of either FRP/PP cast into a monolithic poured min. 4,000 psi concrete base section. For spec's see dwg. No. 19

PLAN VIEW N.T.S.
PREDL SYSTEM BASE

(FRONT ELEVATION VIEW SEE DWG. 11A, 11AA)
(SIDE ELEVATION VIEW SEE DWG. 11B, 11BB)