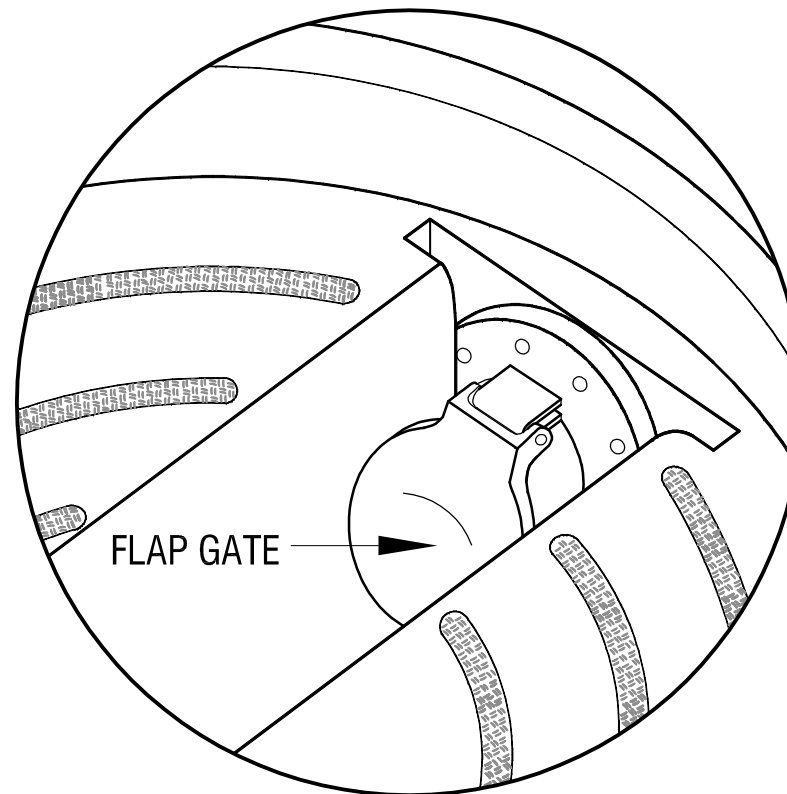
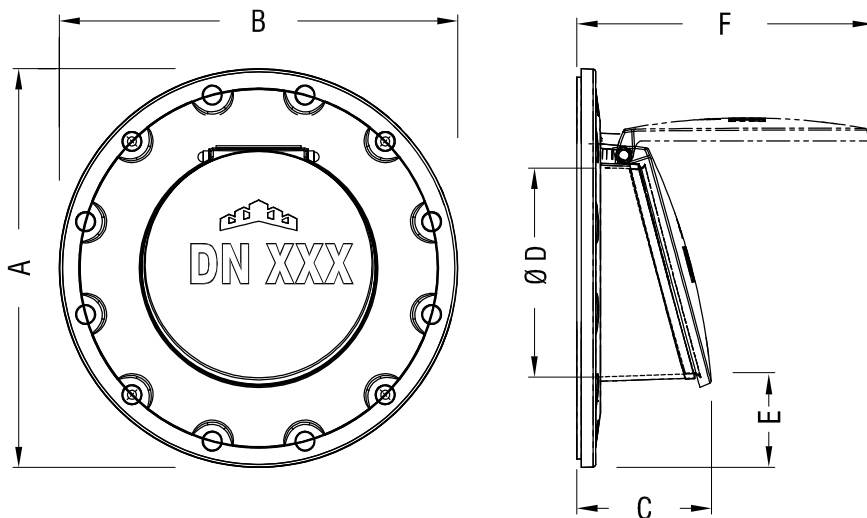


FLAP GATE INSTALLED IN PREDL BASE LINER
PLAN VIEW



FLAP GATE INSTALLED IN PREDL BASE LINER
SKETCH VIEW



Reference	DIMENSIONS							
	DN	A	B	C	D	E	F	Wgt. (kg)
MULTI200NB	200	343	343	185	180	81	285	1.6
MULTI250NB	250	395	395	205	245	78	339	2.0
MULTI300NB	300	448	448	218	290	80	400	3.7
MULTI400NB	400	570	570	241	375	99	478	6.5
MULTI500NB	500	676	676	275	469	102	589	8.7
MULTI600NB	600	788	788	313	593	93	717	14.3
MULTI700NB	700	1003	935	450	700	120	1030	46.0
MULTI800NB	800	1125	1035	523	800	120	1440	53.0
MULTI1000NB	1000	1330	1264	495	1013	110	1400	80.0
MULTI1200NB	1200	1525	1440	690	1200	130	1620	115
MULTI1400NB	1400	1770	1640	800	1400	120	1840	160
MULTI1500NB	1500	1860	1740	855	1500	120	1980	180