



7520 Conrad Street
Burnaby, B.C. V5A 2H7

Phone : 604 415-9944
Fax : 604 415-9954

DRAWN BY : R.H.	DATE DRAWN : DEC. 05/12
--------------------	----------------------------

APPROVED :

REVISION : NO:	DATE:
-------------------	-------

SCALE :

LOAD RATING

MATERIAL SPECIFICATION:

SEE DWG. NO. 19

SPECIFIED FOR:

DESCRIPTION:

LADDER RUNG AND
LADDER RUNG INSERT
DETAILS

DWG. NO. 18B	REV. NO. *
------------------------	----------------------

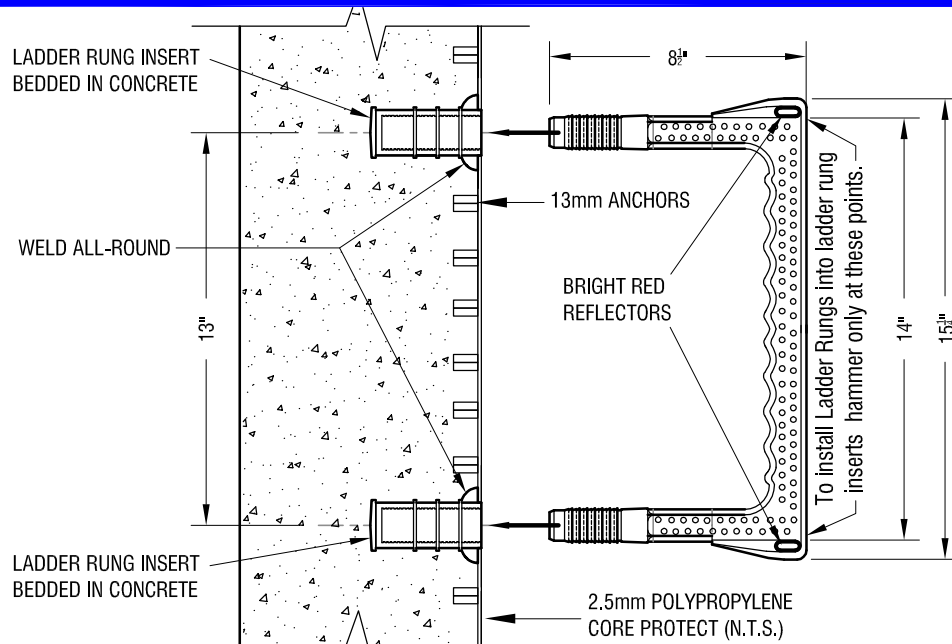
CATALOG NUMBER:

MATERIAL SPECIFICATION

Poly Steps meet the requirements of ASTM C-478 and AASHTO M-199, The Polypropylene conforms to ASTM D-4101. The 1/2" Grade 60 reinforcing bar meets ASTM A-615

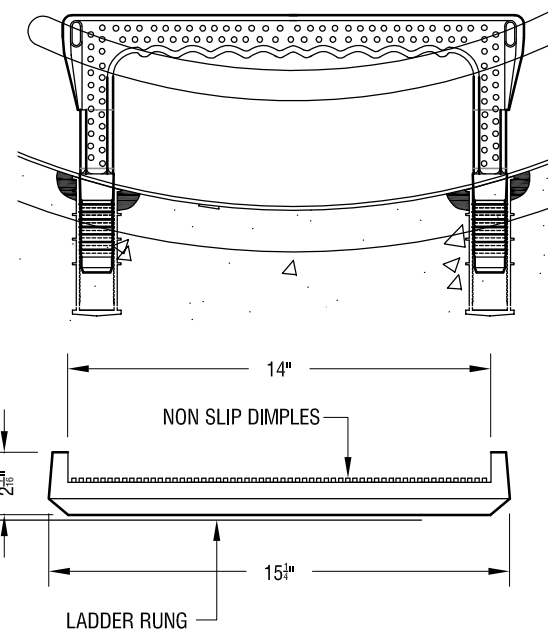
NOTES :

Technical Specification of Raw Materials for Predi System Polypropylene Liner (SEE SHTS. 19)



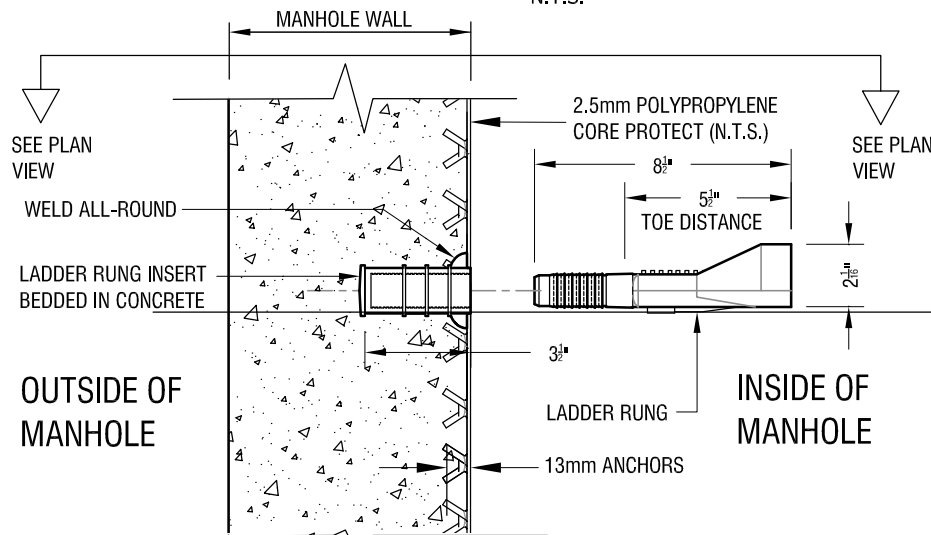
PLAN VIEW

N.T.S.



END ELEVATION VIEW

N.T.S.



SIDE ELEVATION VIEW

N.T.S.

LADDER RUNG AND LADDER RUNG INSERT DETAILS