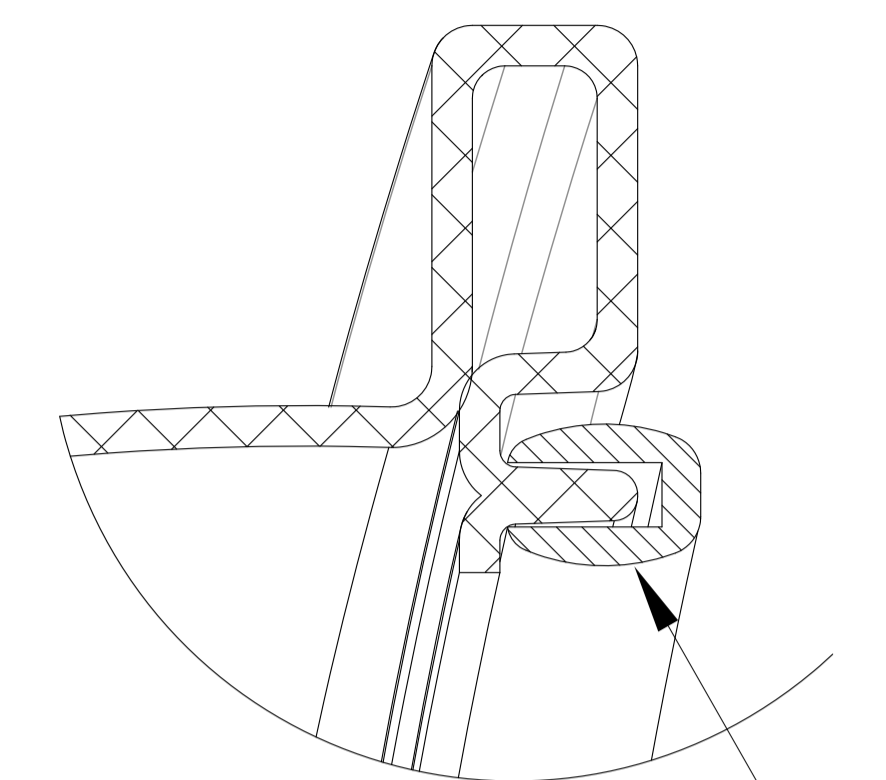
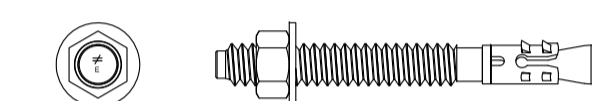


SECTION A-A N.T.S.

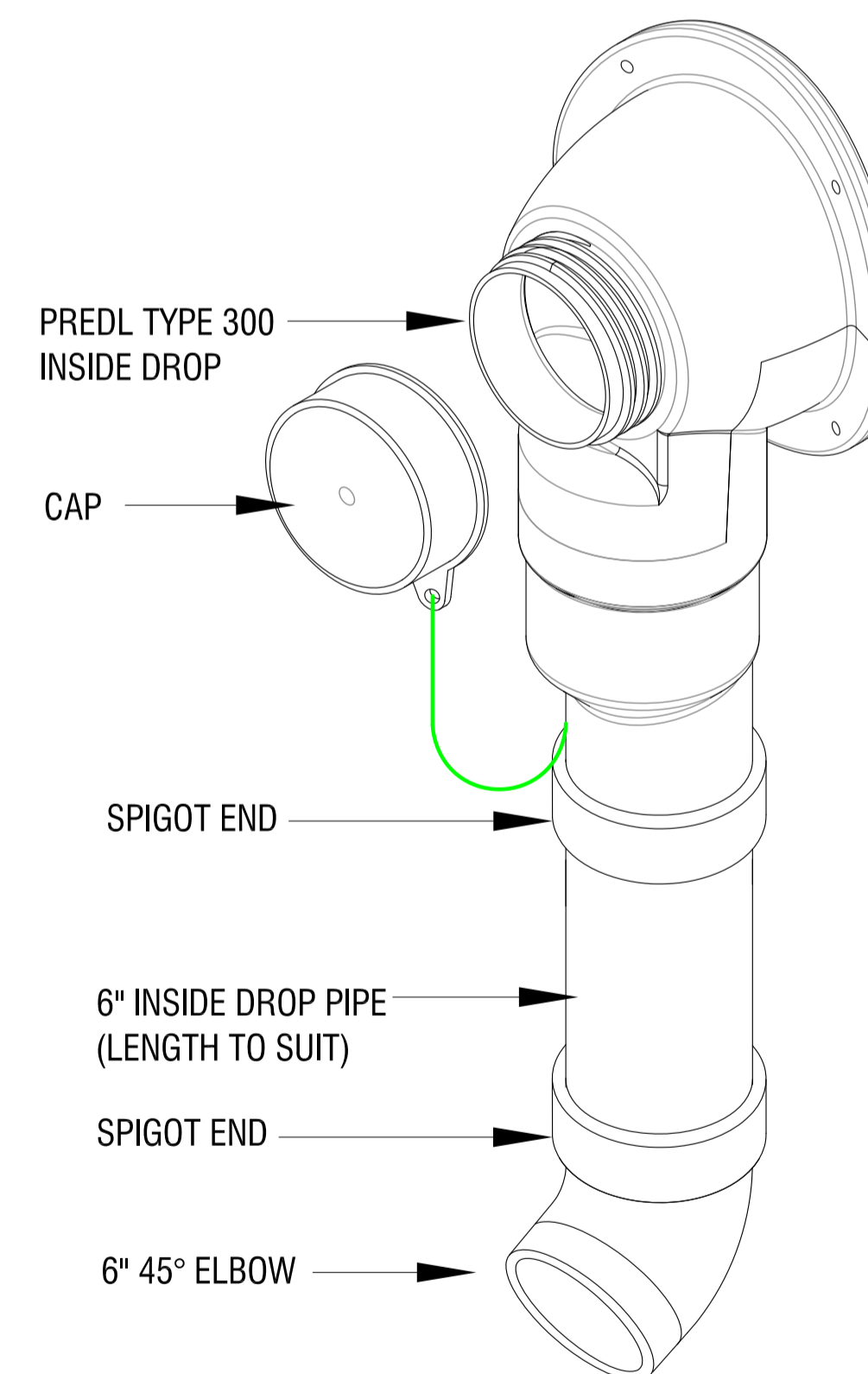
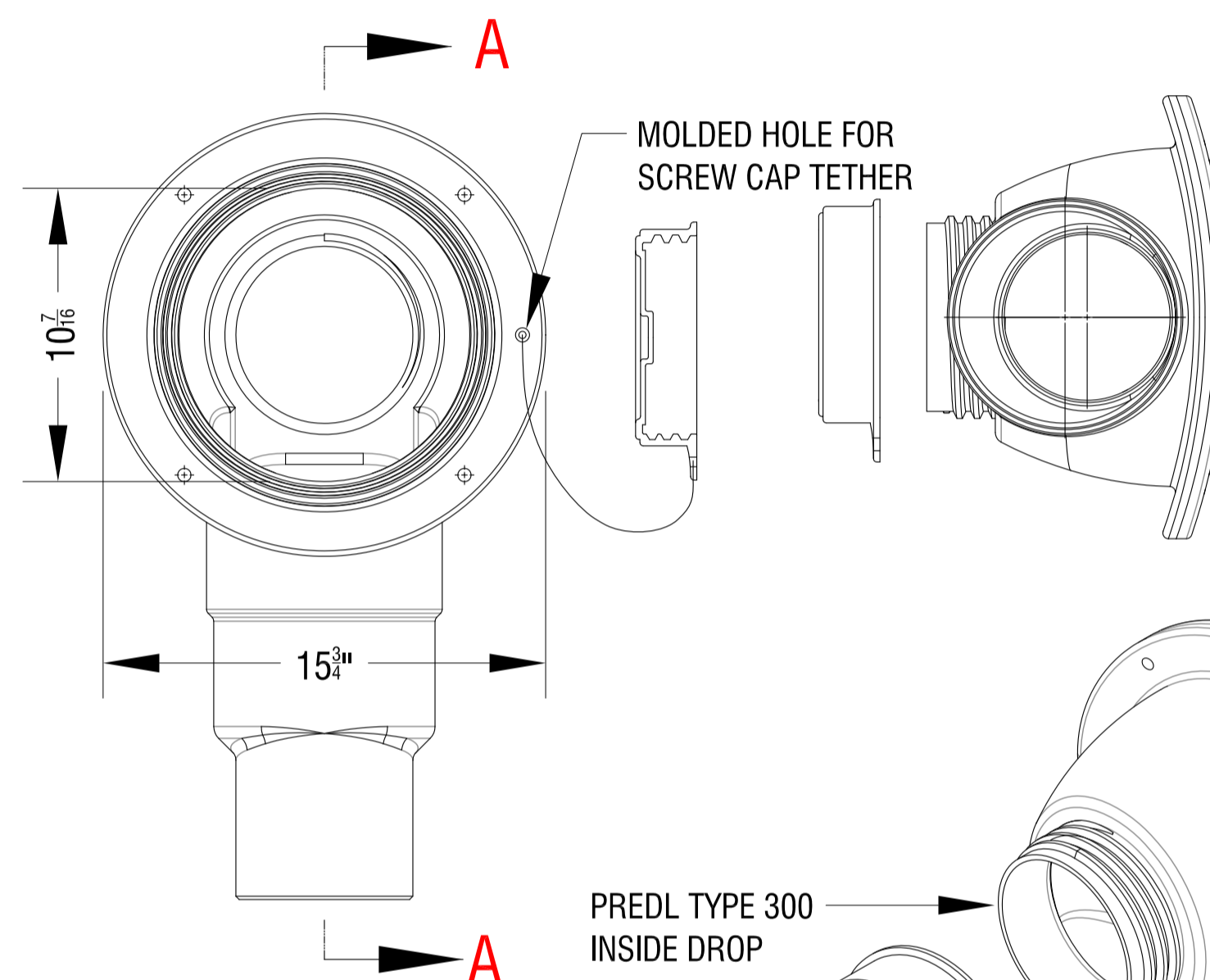
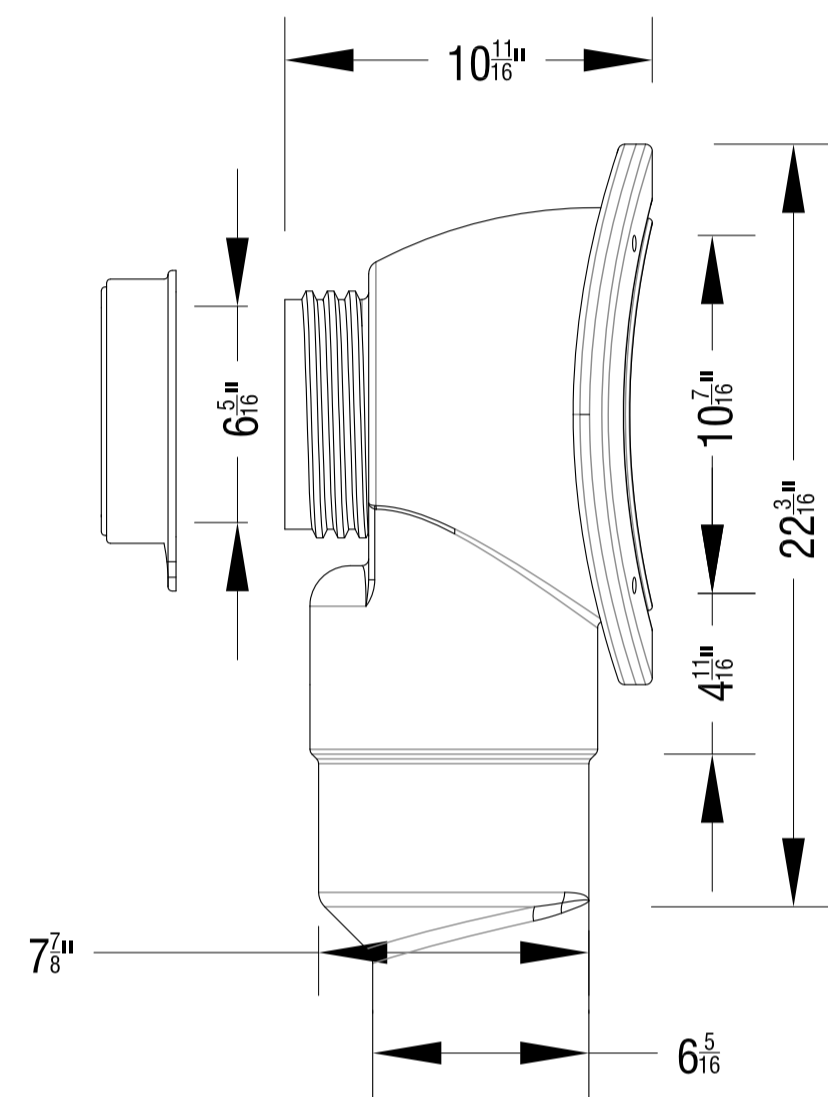


DETAIL B

N.T.S.



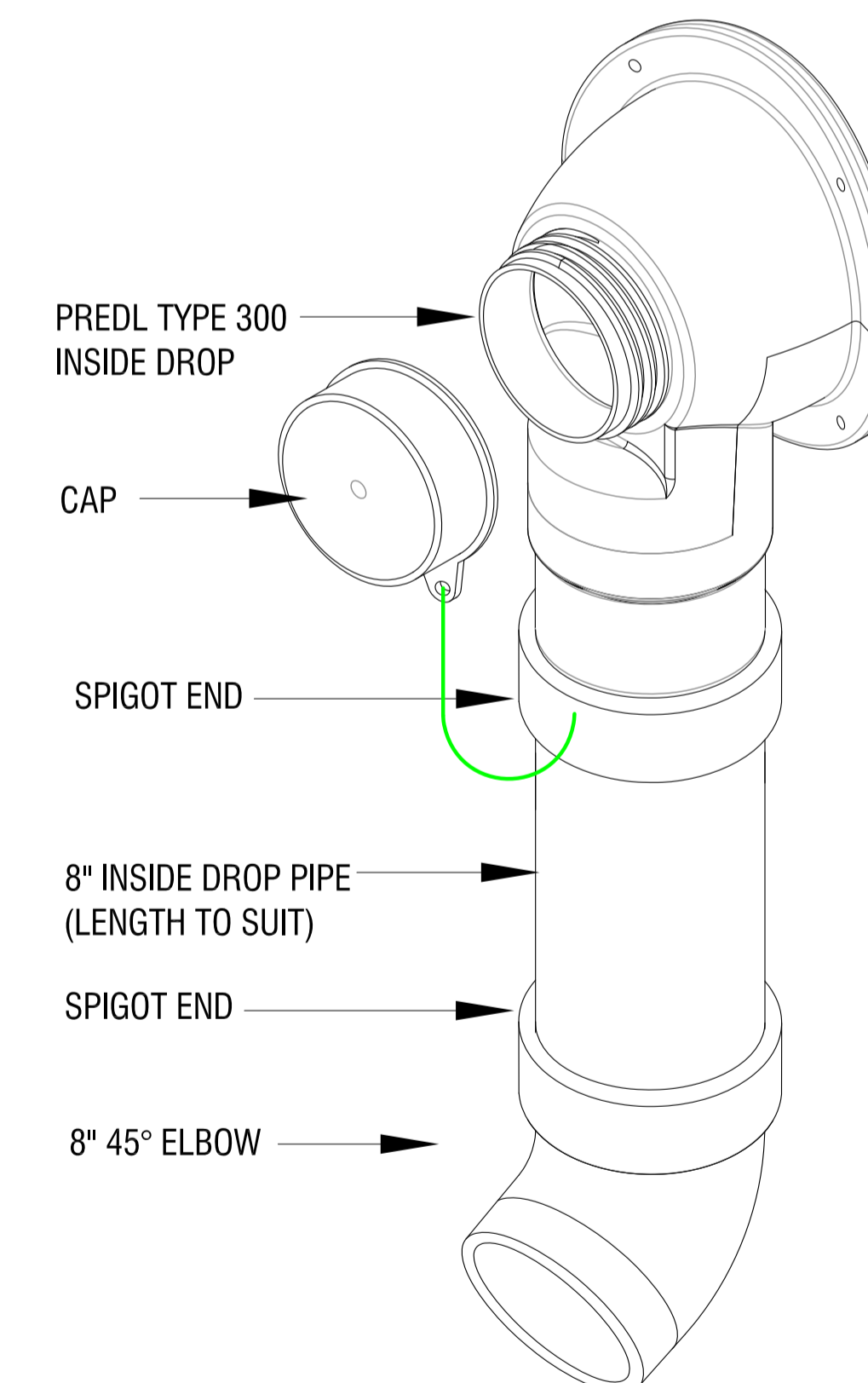
SIMPSON STRONG-TIE STAINLESS STEEL
3/8" x 3 3/4" MODEL NO. STB2-373346SS
(BY OTHERS)



INSIDE DROP ASSEMBLY DETAIL

6" DOWNSPOUT

N.T.S.



INSIDE DROP ASSEMBLY DETAIL

8" DOWNSPOUT

N.T.S.

SDR 26 PVC PIPE DIMENSION SPECIFICATIONS

SIZE		O.D.		I.D.		WALL THICKNESS	
INCH	mm	INCH	mm	INCH	mm	INCH	mm
4"	101.60	4.215	107.06	3.891	98.831	0.162	4.115
6"	152.40	6.275	159.38	5.793	147.142	0.241	6.121
8"	203.20	8.400	213.36	7.754	196.952	0.323	8.204
10"	254.00	10.500	266.70	9.692	246.177	0.404	10.262

SDR 35 PVC PIPE DIMENSION SPECIFICATIONS

SIZE		O.D.		I.D.		WALL THICKNESS	
INCH	mm	INCH	mm	INCH	mm	INCH	mm
4"	101.60	4.215	107.06	3.975	100.965	0.120	3.048
6"	152.40	6.275	159.38	5.915	150.241	0.180	4.572
8"	203.20	8.400	213.36	7.920	201.128	0.240	6.096
10"	254.00	10.500	266.70	9.900	251.460	0.300	7.620